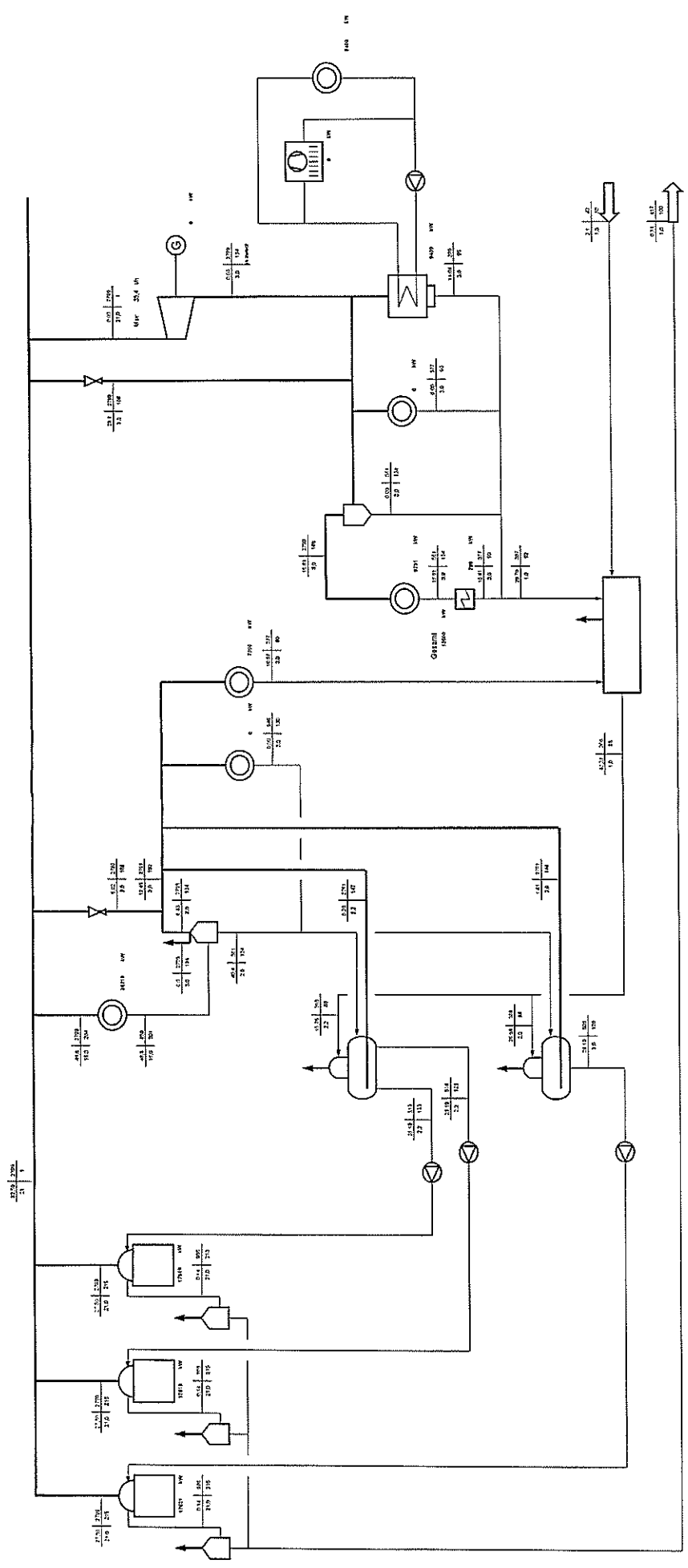


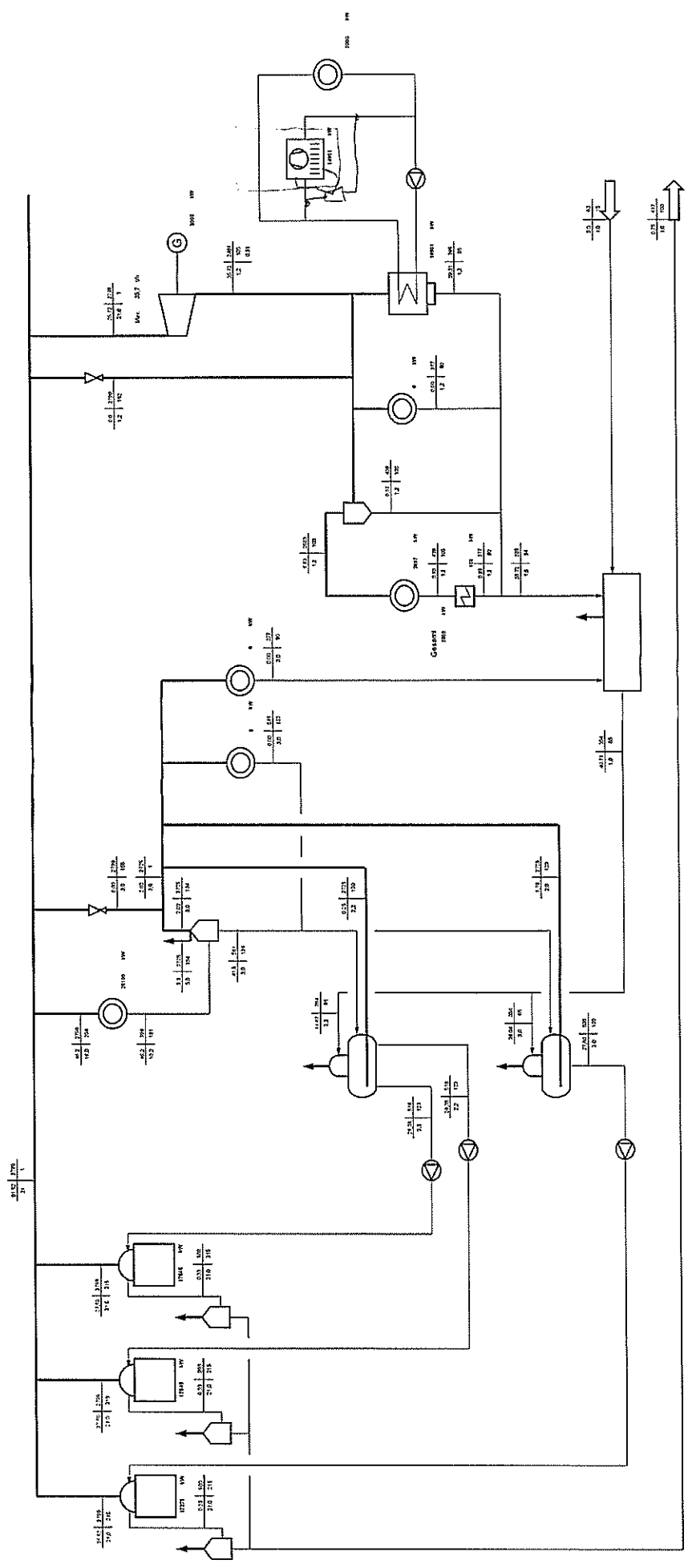
11.85 | 2720
 31 | 1

max. el. (3MN)
 AC 10



Max. Wärme

Handwritten signature
 1.0 kW
 1.0 m³/h
 2.70 bar



Legenda
 1. 1. 1. 1.
 2. 2. 2. 2.
 3. 3. 3. 3.

Max. el. (3/11)